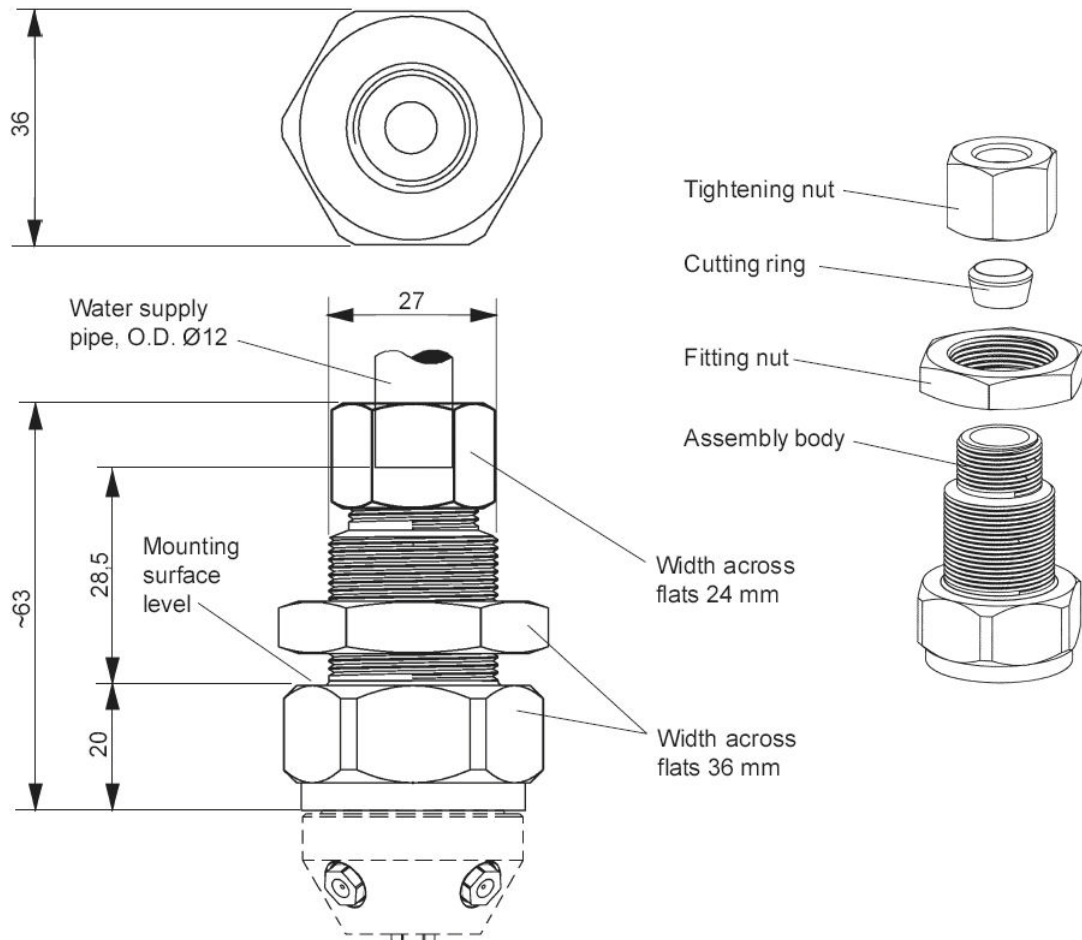


Assembly body sets A1000S1C-T00D12S and A1000711C-T00D12SA

Stock codes C40032 and C40032.1

TECHNICAL DATA SHEET TC8120 REVISION A DATE OF ISSUE 10 Nov 2011

Sprinkler assembly body set for HI-FOG® 1000 series sprinklers and spray heads



General	Body material	Stock code C40032: EN 1.4305 / ASTM 303 Stock code C40032.1: EN 1.4404 / ASTM 316L
	Mass	0,28 kg
Installation	Location	Ceiling or wall
	Projection	Pendent or horizontal